

detail corner piece

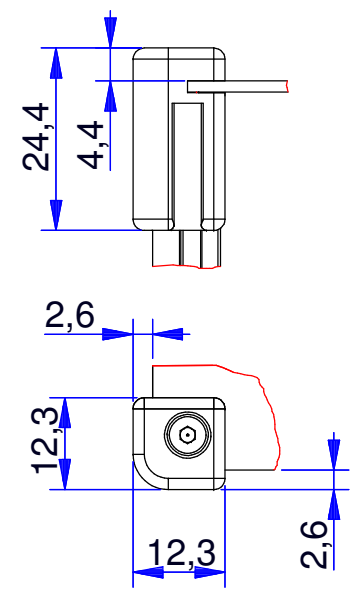



fig. adapter plate exemplary

B	mm
H	mm
T	mm
B1	mm
T1	mm
D	mm

 <a href="http://www.WoehrGmbH.de">www.WoehrGmbH.de</a>	Refer to protection notice ISO 16016 General tolerances ISO 2768 medium Not measured outlines take from the 3D- or dxf-data		Maßstab: 1:1	Gewicht:											
	<table border="1"> <thead> <tr> <th></th> <th>Datum</th> <th>Name</th> </tr> </thead> <tbody> <tr> <td>Bearb.</td> <td>29.06.2018</td> <td>M. Erlenmaier</td> </tr> <tr> <td>Gepr.</td> <td>29.06.2018</td> <td>A. Schwarz</td> </tr> <tr> <td>Norm</td> <td></td> <td></td> </tr> </tbody> </table>			Datum	Name	Bearb.	29.06.2018	M. Erlenmaier	Gepr.	29.06.2018	A. Schwarz	Norm			Baugruppe: Prioline KSK
	Datum	Name													
Bearb.	29.06.2018	M. Erlenmaier													
Gepr.	29.06.2018	A. Schwarz													
Norm															
		Kunde: 169999													
		Bezeichnung: WANDGEHÄUSE FORM I KSK													
		Artikel-Nr.:													
		Material:		sheet 1											
		Urspr.		Bl.											
Zust.	Änderung	Datum	Name	Ers. f.:											

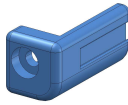
corner piece selection

front panel

back panel

Please enter here the desired mechanical processing.

standard



-RAL9005 (black) art.-No. 1850003169
-RAL7016 (anthracite grey) art.-No. 1850003181
-RAL7035 (light grey) art.-No. 1850003239
-RAL5017 (taffic blue) art.-No. 1850003168
-RAL5002 (ultramarine blue) art.-No. 1850003179
-RAL5018 (turquoise blue) art.-No. 1850003183
-RAL3003 (ruby red) art.-No. 1850003177
-RAL3020 (traffic red) art.-No. 1850003170
-RAL1028 (melon yellow) art.-No. 1850003175
-RAL1023 (traffic yellow) art.-No. 1850003171



natural anodized (cut edges blank)	
painting RAL _____ structure	
powder-coated RAL _____ structure	

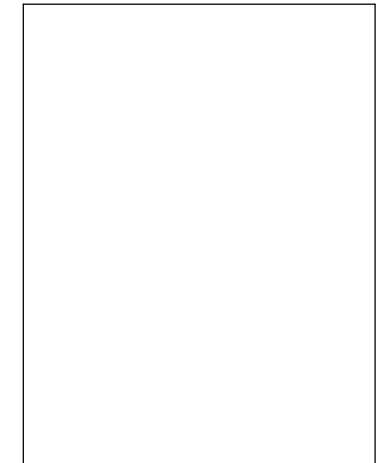
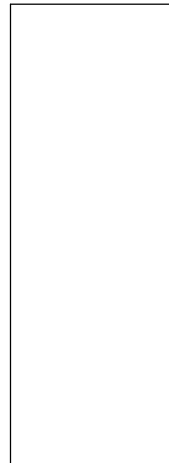
[www.woehr-tabellen.industriegehaeuse.de/en/ral-tabellen/ral-colors/](http://www.woehr-tabellen.industriegehaeuse.de/en/ral-tabellen/ral-colors/)

right side panel

cover panel

left side panel

base plate



for mounting brackets



(art.-No. 1800002952 / 1800002953)

-RAL9005 (black) art.-No. 1850003173
-RAL7016 (anthracite grey) art.-No. 1850003182
-RAL7035 (light grey) art.-No. 1850003240
-RAL5017 (taffic blue) art.-No. 1850003172
-RAL5002 (ultramarine blue) art.-No. 1850003180
-RAL5018 (turquoise blue) art.-No. 1850003184
-RAL3003 (ruby red) art.-No. 1850003178
-RAL3020 (traffic red) art.-No. 1850003174
-RAL1028 (melon yellow) art.-No. 1850003176
-RAL1023 (traffic yellow) art.-No. 1850003242

 www.WoehrGmbH.de	Refer to protection notice ISO 16016 General tolerances ISO 2768 medium Not measured outlines take from the 3D- or dxf-data		Maßstab: 1:1	Gewicht:
			Baugruppe: Prioline KSK	Kunde: 169999
			Bezeichnung: WANDGEHÄUSE FORM I KSK	
			Artikel-Nr.:	
			Material:	
			sheet 2	
			Bl.	
Zust.	Anderung	Datum	Name	Urspr.
				Ers. f.: