

detail corner piece

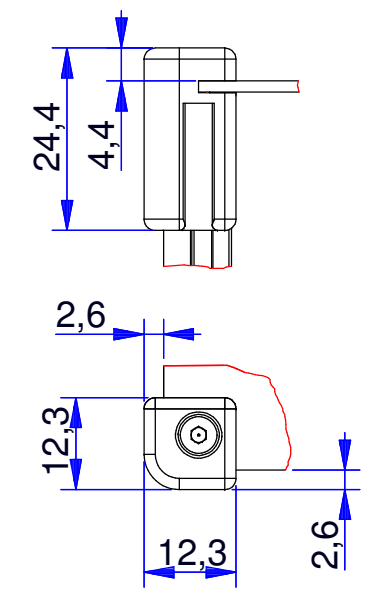



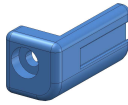
fig. side panel exemplary

B	mm
H	mm
T	mm
B1	mm
T1	mm
D	mm

 www.WoehrGmbH.de	Refer to protection notice ISO 16016 General tolerances ISO 2768 medium Not measured outlines take from the 3D- or dxf-data		Maßstab: 1:1	Gewicht:
			Baugruppe:	Kunde:
			Prioline KSK	169999
			Bezeichnung: WANDGEHÄUSE FORM II KSK	
			Artikel-Nr.:	
			Material:	
			Urspr.	Ers. f.:
Zust.	Änderung	Datum	Name	sheet 1 Bl.

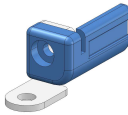
corner piece selection

standard



-RAL9005 (black) art.-No. 1850003169
-RAL7016 (anthracite grey) art.-No. 1850003181
-RAL7035 (light grey) art.-No. 1850003239
-RAL5017 (taffic blue) art.-No. 1850003168
-RAL5002 (ultramarine blue) art.-No. 1850003179
-RAL5018 (turquoise blue) art.-No. 1850003183
-RAL3003 (ruby red) art.-No. 1850003177
-RAL3020 (traffic red) art.-No. 1850003170
-RAL1028 (melon yellow) art.-No. 1850003175
-RAL1023 (traffic yellow) art.-No. 1850003171

for mounting brackets

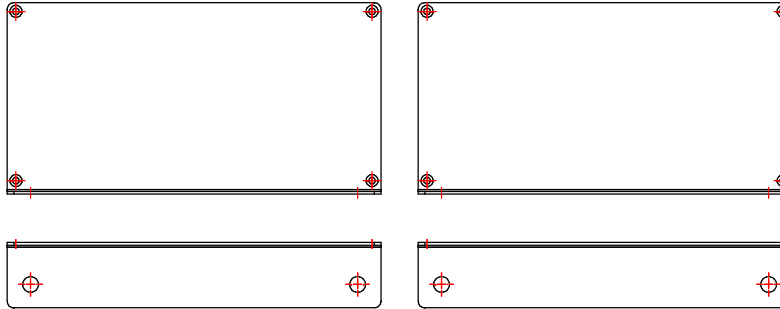


(art.-No. 1800002952 / 1800002953)

-RAL9005 (black) art.-No. 1850003173
-RAL7016 (anthracite grey) art.-No. 1850003182
-RAL7035 (light grey) art.-No. 1850003240
-RAL5017 (taffic blue) art.-No. 1850003172
-RAL5002 (ultramarine blue) art.-No. 1850003180
-RAL5018 (turquoise blue) art.-No. 1850003184
-RAL3003 (ruby red) art.-No. 1850003178
-RAL3020 (traffic red) art.-No. 1850003174
-RAL1028 (melon yellow) art.-No. 1850003176
-RAL1023 (traffic yellow) art.-No. 1850003242

front panel

back panel



Please enter here the desired mechanical processing.

natural anodized (cut edges blank)	
painting RAL _____ structure	
powder-coated RAL _____ structure	

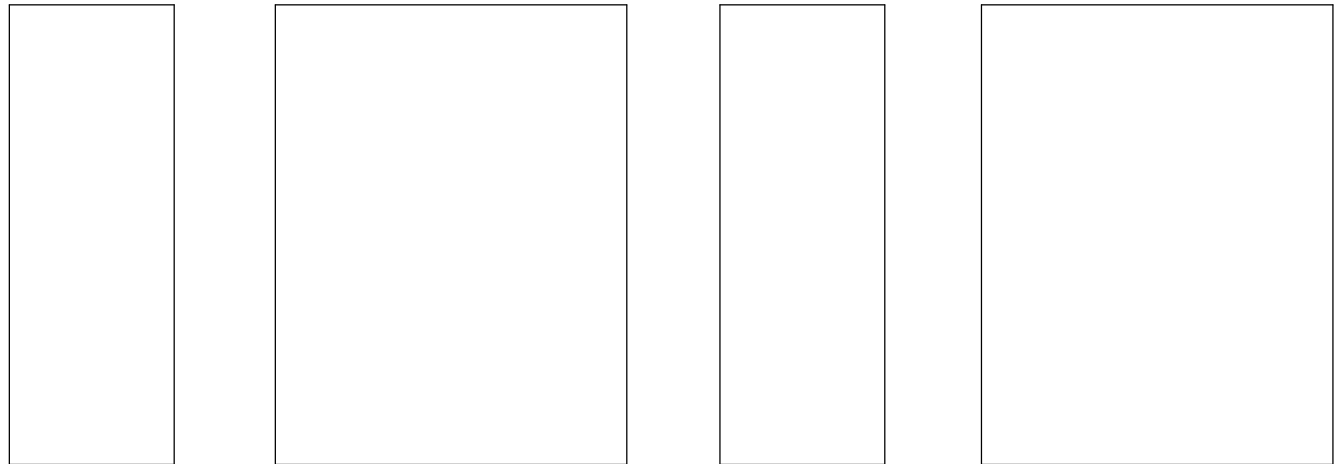
www.woehr-tabellen.industriegaehaeuse.de/en/ral-tabellen/ral-colors/

right side panel

cover panel

left side panel

base plate



Refer to protection notice ISO 16016
General tolerances ISO 2768 medium
Not measured outlines take from the 3D-
or dxf-data

Maßstab: 1:1

Gewicht:

Baugruppe:

Kunde:

Prioline KSK

169999

Bezeichnung:

WANDGEHÄUSE FORM II KSK

Artikel-Nr.:

Material:

sheet

2

Bl.

Zust.	Änderung	Datum	Name

Richard Wöhr GmbH
D-75339 Höfen / Enz
Richard@WoehrGmbH.de

Urspr.

Ers. f.: