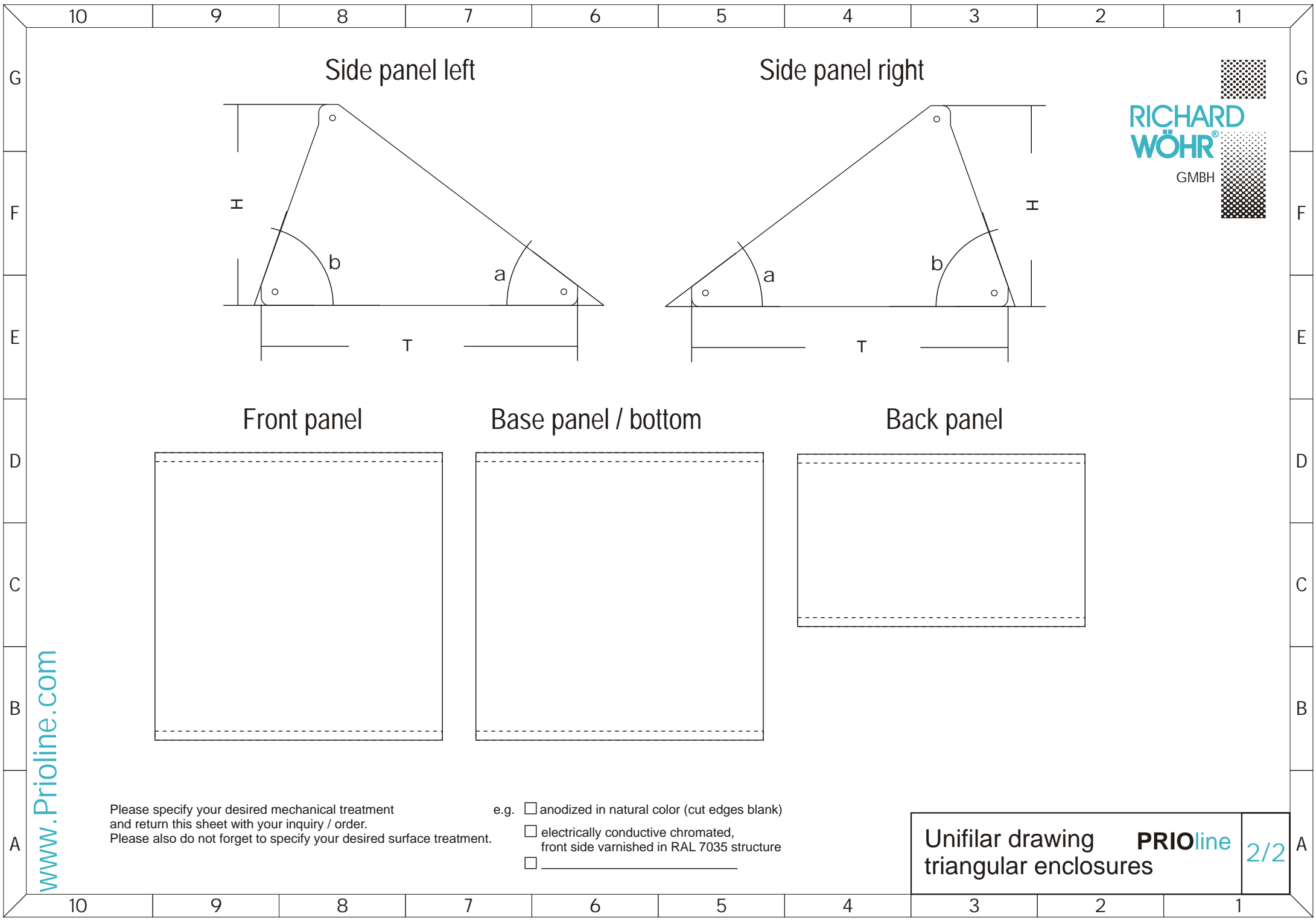


**RICHARD
WÖHR®**
GMBH

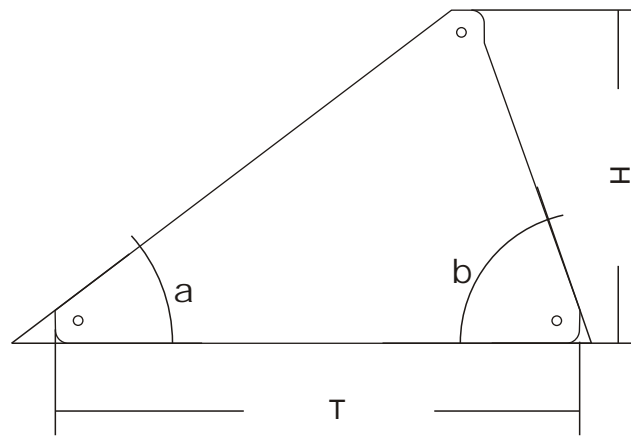
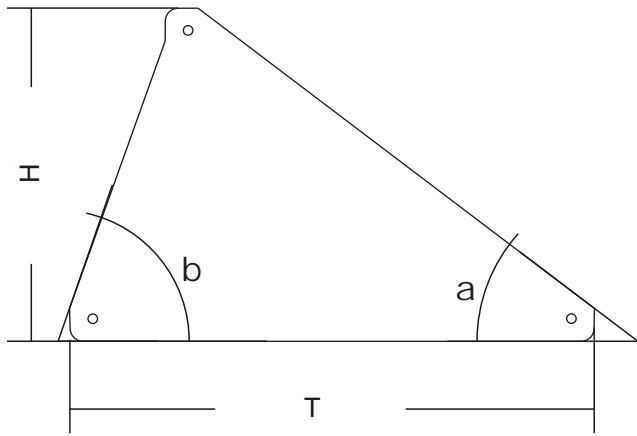
www.Prioline.com

Unifilar drawing triangular enclosures	PRI oline	1/2
---	------------------	-----



Side panel left

Side panel right

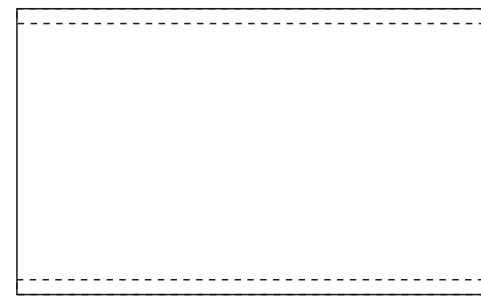
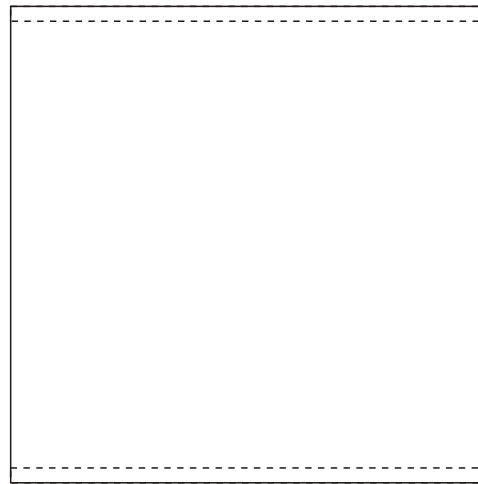
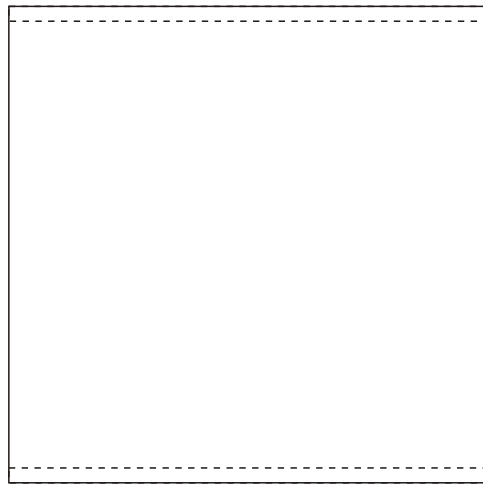


**RICHARD
WÖHR**
GMBH

Front panel

Base panel / bottom

Back panel



www.Prioline.com

Please specify your desired mechanical treatment and return this sheet with your inquiry / order. Please also do not forget to specify your desired surface treatment.

- e.g. anodized in natural color (cut edges blank)
 electrically conductive chromated, front side varnished in RAL 7035 structure

Unifilar drawing **PRIOLine** 2/2
 triangular enclosures